



GRS1 REMOTE DIGITAL MIXER SHOWER

This remote mixer shower is suitable for non-gravity fed systems. It does not include an integrated pump.

1. Please check the components in the box with the list below.
2. Contact your supplier or Galaxy immediately via the details at the end of the manual if any parts are missing,

CAUTION:

1. Please read the installation manual fully before commencing installation.
2. This appliance is not to be used by children or persons with reduced physical, sensory or mental capabilities, or lack of experience and knowledge, unless they have been given adequate supervision or instruction.
3. Children should be supervised when using the appliance.
4. Disconnection must be incorporated in the fixed wiring in accordance with the wiring regulations

Main product features and functions

The electronic intelligent touch panel controls and adjusts the water temperature and flow rate
The light buttons on the panel indicate water temperature with different colours to avoid accidental scalding.

Working conditions:

- Incoming mains temperature of cold water is 4°C-29°C
- Outgoing hot water temperature range is 55°C -85°C (55°C-65°C is recommended)
- The initial mixer temperature is factory set at 38°
- The processor must be earthed to prevent leakage
- Before using of this product, make sure that the system is flushed through to remove any impurities and dirt to avoid damage to the control cartridge valve
- The digital shower has 5 section flow rate control and temperature control : 25°-50°
- The shower will automatically shut-off when the product is continuously open for more than 15minutes
- Temperature indication: Blue: 25°C -33°C, Purple:34°C-40 °C, Red:41°C-50 °C
- If there is no cold water at sufficient pressure, the digital shower outlet water automatically stops

Technical Specification:

Operating water pressure: 1 Bar to 6 Bar

Maximum water inlet pressure: 6 bar

Water connection: 15mm compression fit

Rating voltage/frequency: 220-240V AC/50Hz

Maximum power capacity: 16W

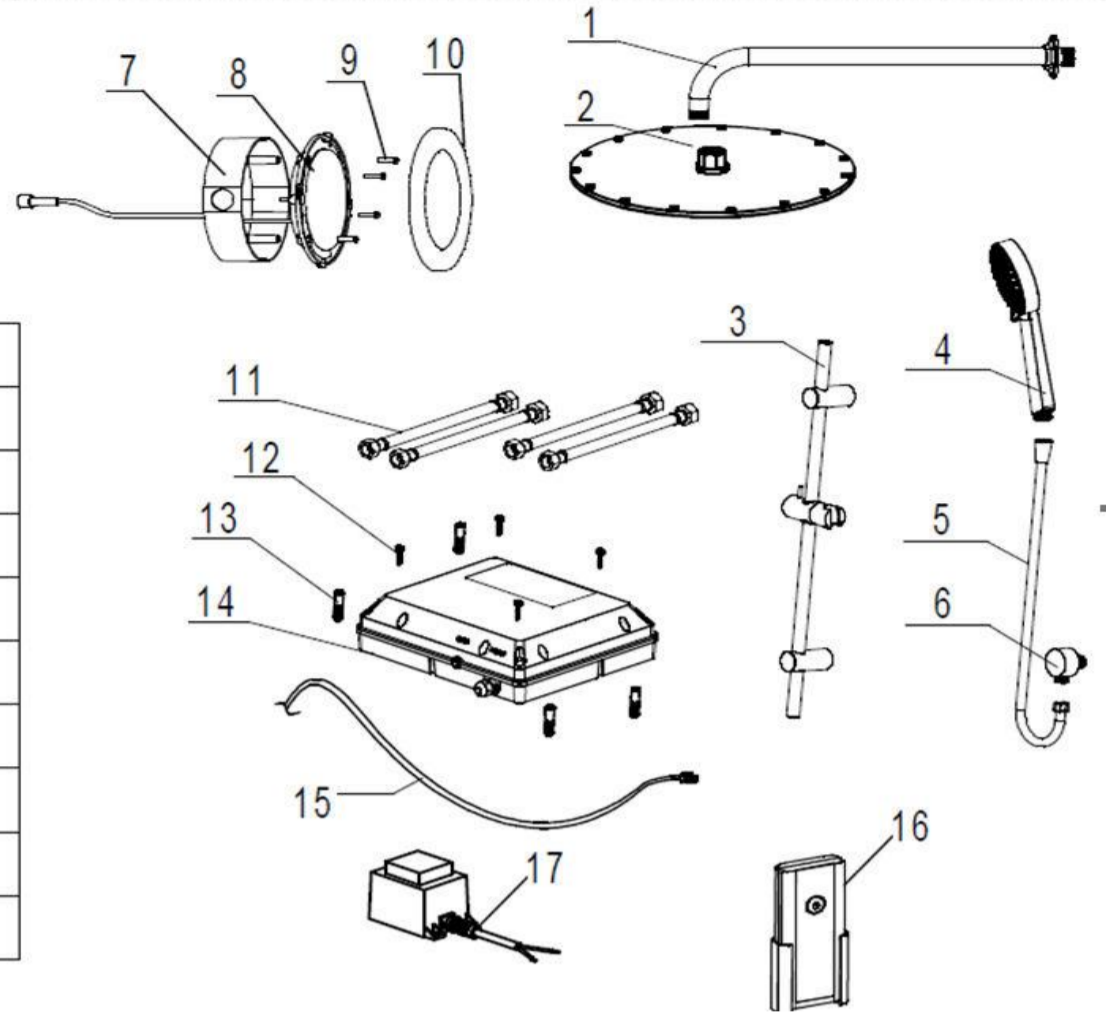
IPX4 Rated

III. The technical parameter:

1. rating voltage/frequency: 220-240V AC/50Hz
2. Maximum power capacity: 16W
3. Maximum water inlet pressure : 6 bar - 87 p.s.i.
4. waterproof rank: IPX4

No:	Part	Qty
1	Arm	1
2	shower head	1
3	Riser Rail	1
4	Shower Handset	1
5	Hose	1
6	Inlet union	1
7	Cassette	1
8	Controller	1

No:	Part	Qty
9	Screw st 3.5 x 20mm	6
10	Cosmetic Cover	1
11	Connection Hose	4
12	Screw ST 4.2 x 30mm	4
13	Wall plug	6
14	Processor Unit	1
15	Data wire	1
16	Remote control	1
17	Transformer	1



Please Note: the product should be installed before tiling is added to the bathroom wall.

The electrical connection should be made via either a standard UK mains fused plug or fused spur.

1. Initial fitting

1.1 As per the drawing, use chisel to form a groove on the wall 50mm deep, put in water pipe and line pipe (The dimensions shown are suggestions and may vary for individual needs)

1.2 As per the drawing, chisel another groove on the wall, 130mm wide, 130mm long, 50mm deep accommodate the cassette.

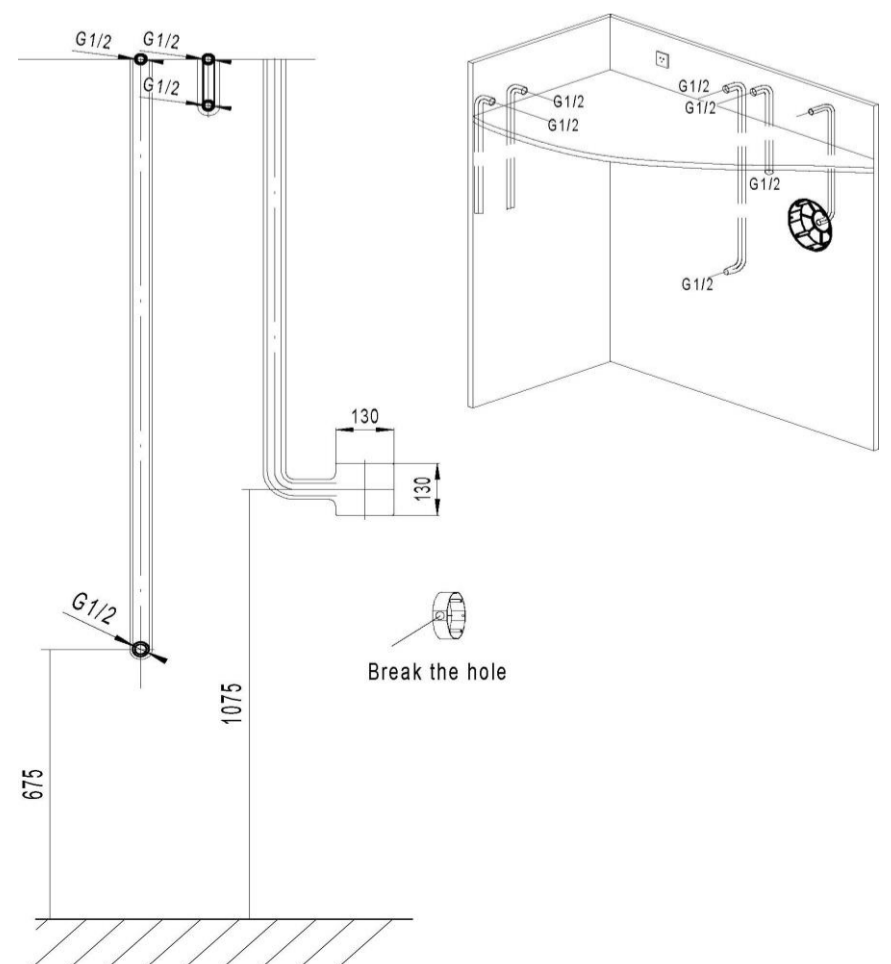
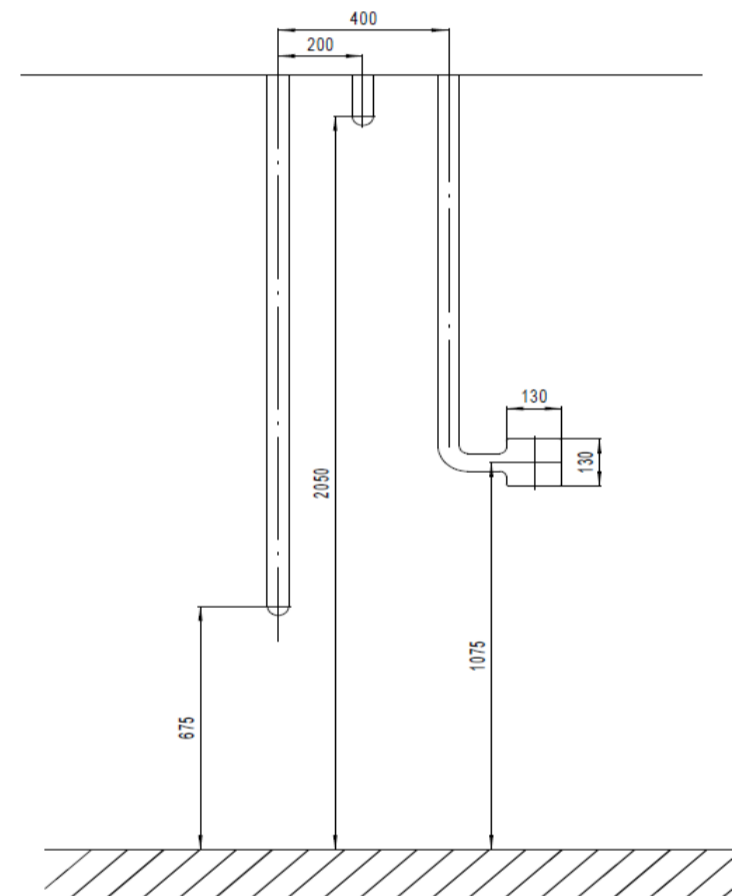
2. Install the water pipe and the line pipe into the groove:

2.1 As on the drawing, place the water pipe and the line pipe into the Grooves created

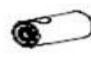





2.2 As per the drawing the connection for G1/2 should be sited external to the wall ensuring that it is 50mm above the bathroom ceiling.

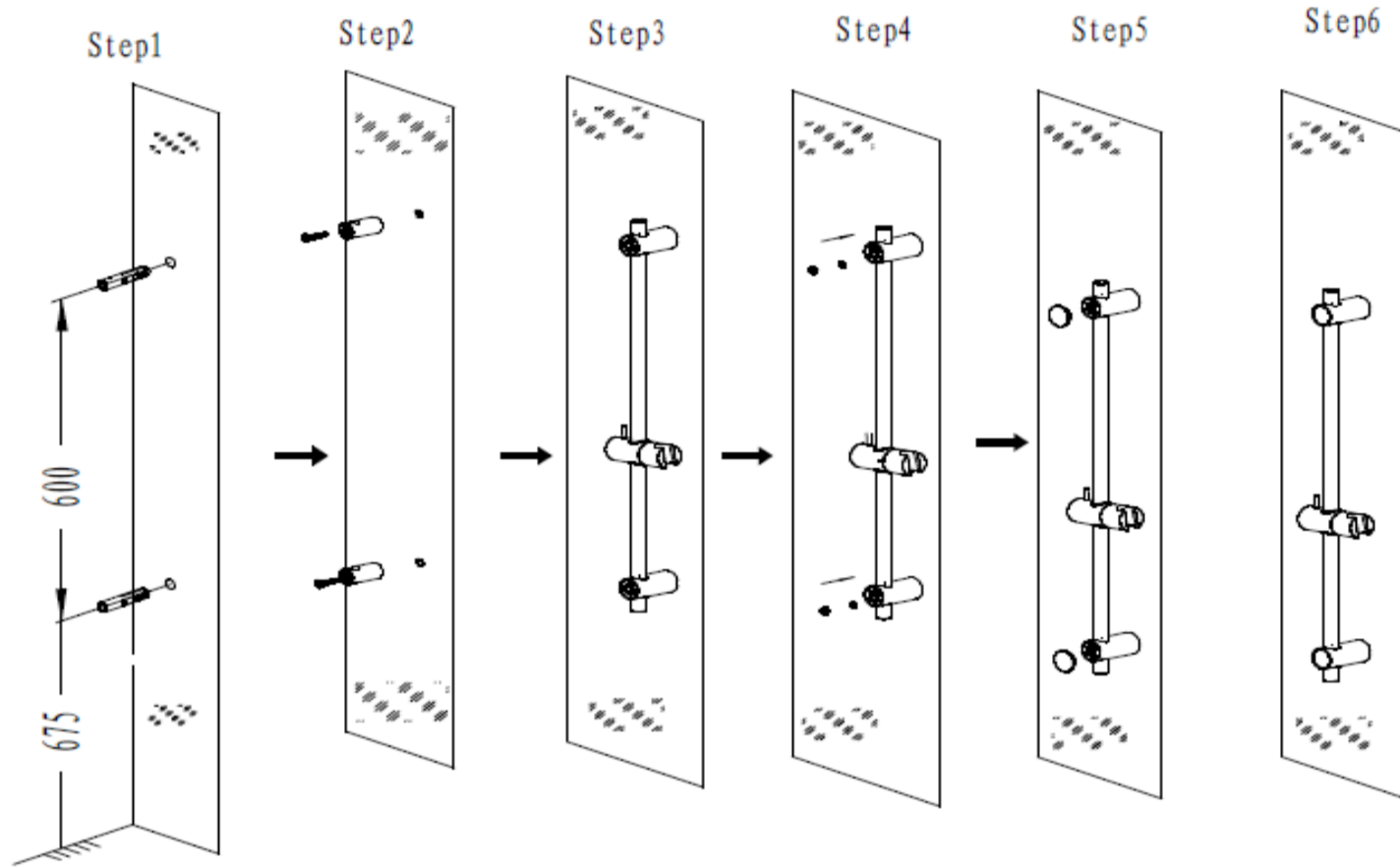
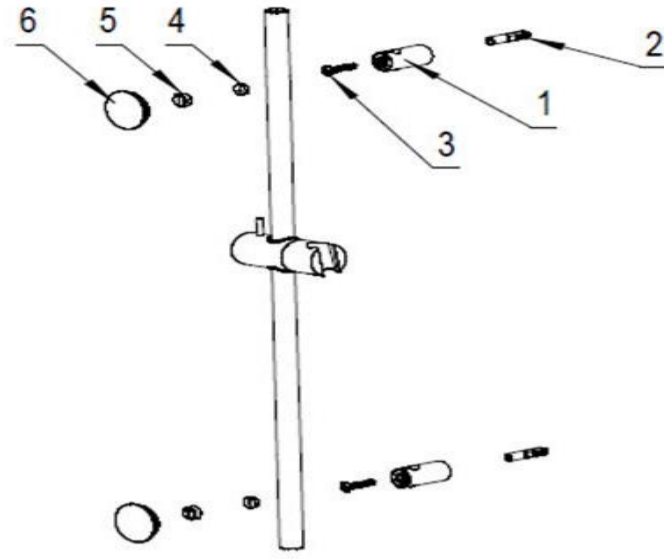
2.3 Punch the hole of the cassette on the left side using a screwdriver, then place the cassette into the groove. Secure the cassette with adhesive and ensure the line pipe is connected with the cassette.

2.4 Apply tiles and grout to the wall remembering to keep a suitable area place for the G1/2 and cassette.

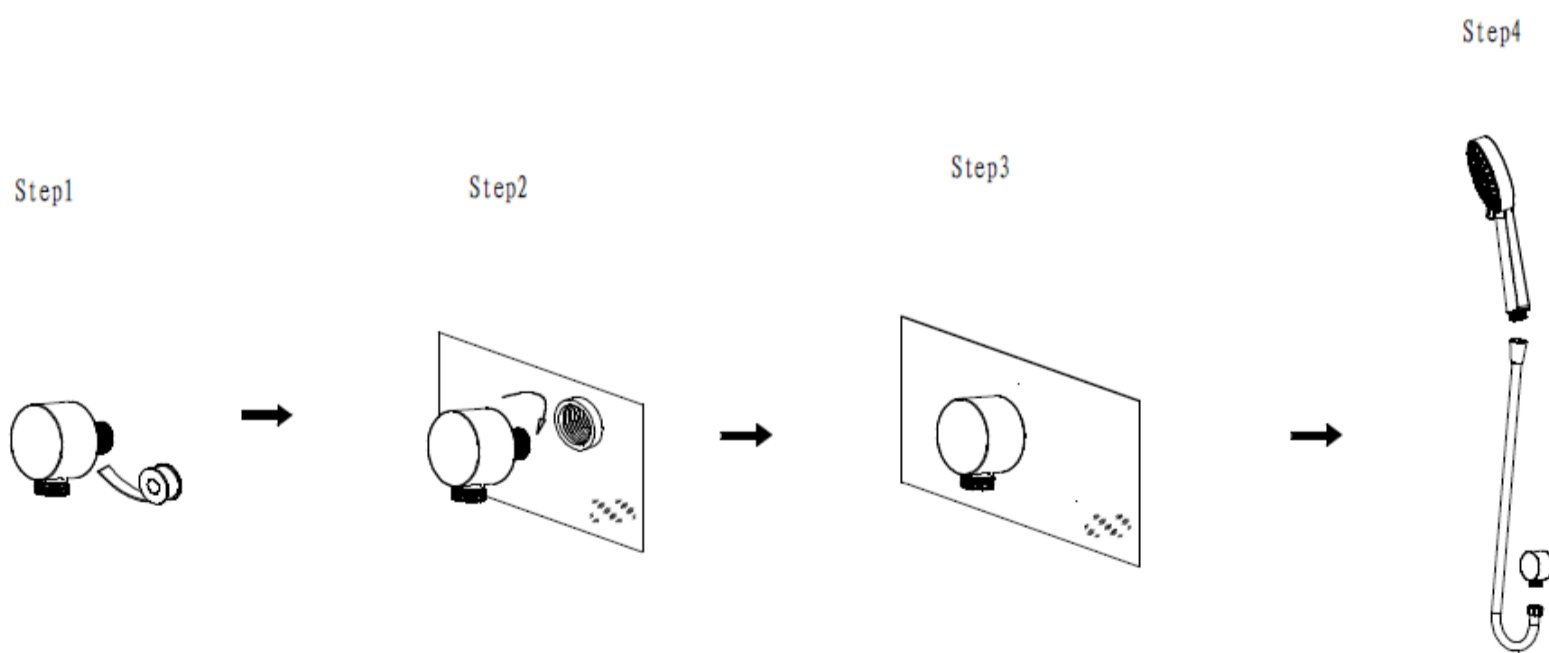


3. Install Riser Rail

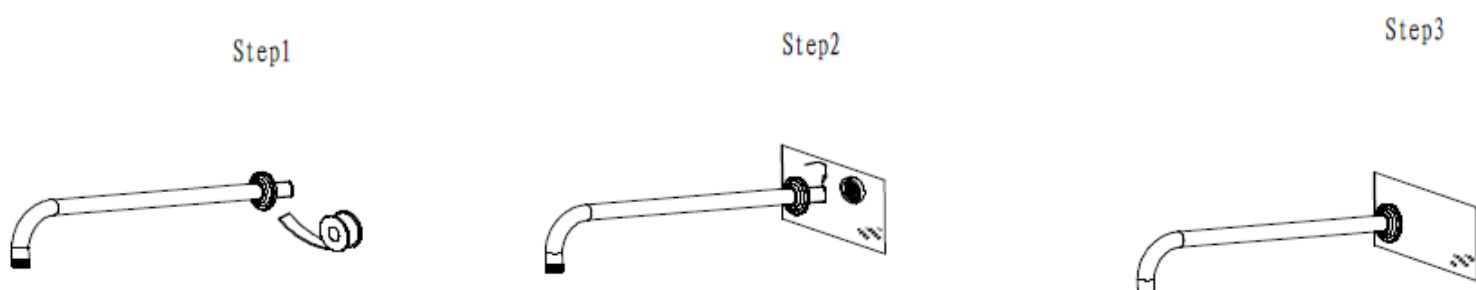
NO.	Name	Qty	Drawing
1	wall seat	2	
2	wall plug	2	
3	screw ST4.8x65	2	
4	washer	2	
5	screw	2	
6	cover	2	



4. Install Inlet, hose and shower hand:



5. Install the arms:

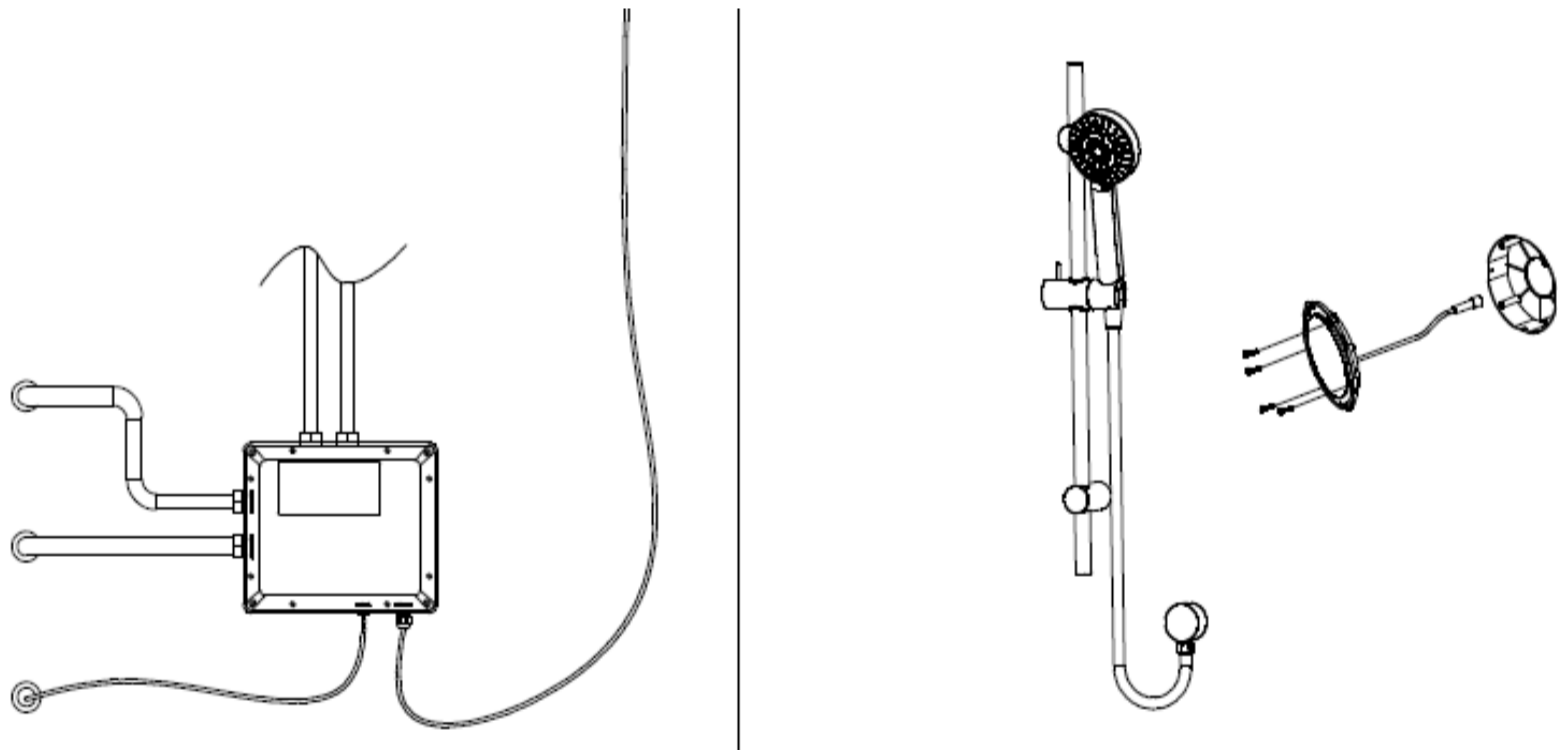
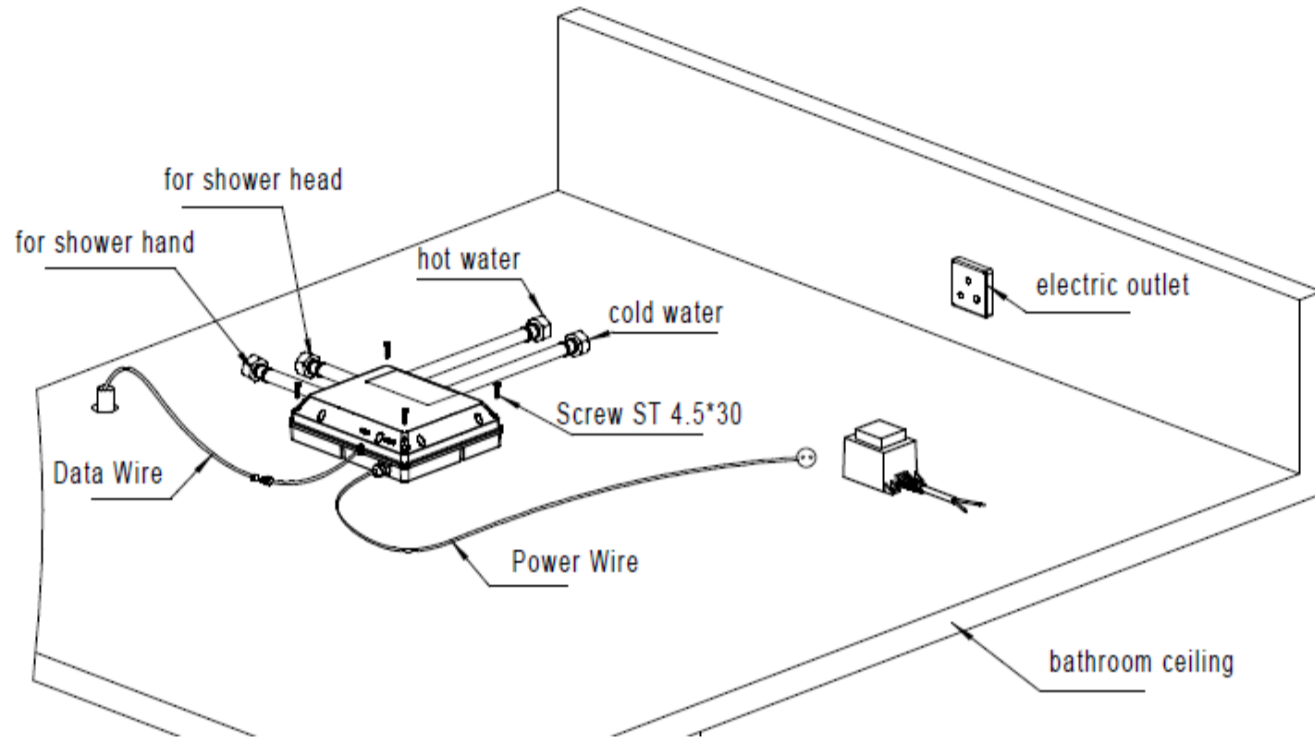
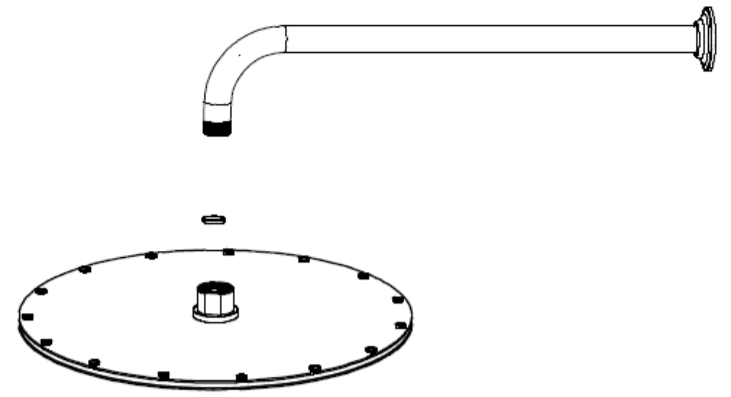


6 Attach the overhead shower head

7. Install the processor and control

7.1 As per the drawing below, connect up the water pipe(s)

7.2 Pull the data wire through the water pipe and connect up the processor and controller



8. Before you use this product please check all connections thoroughly to ensure all joints and connections are tight and well-sealed to avoid leakage.

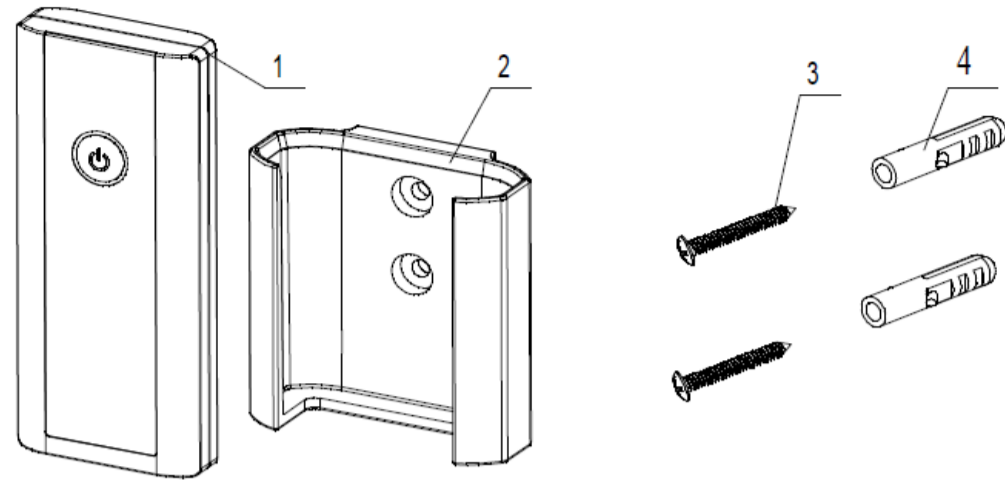
MAINTENANCE

Keep the product clean by washing with warm water and mild detergent regularly.

9. Install the remote control

Remote control fittings list:

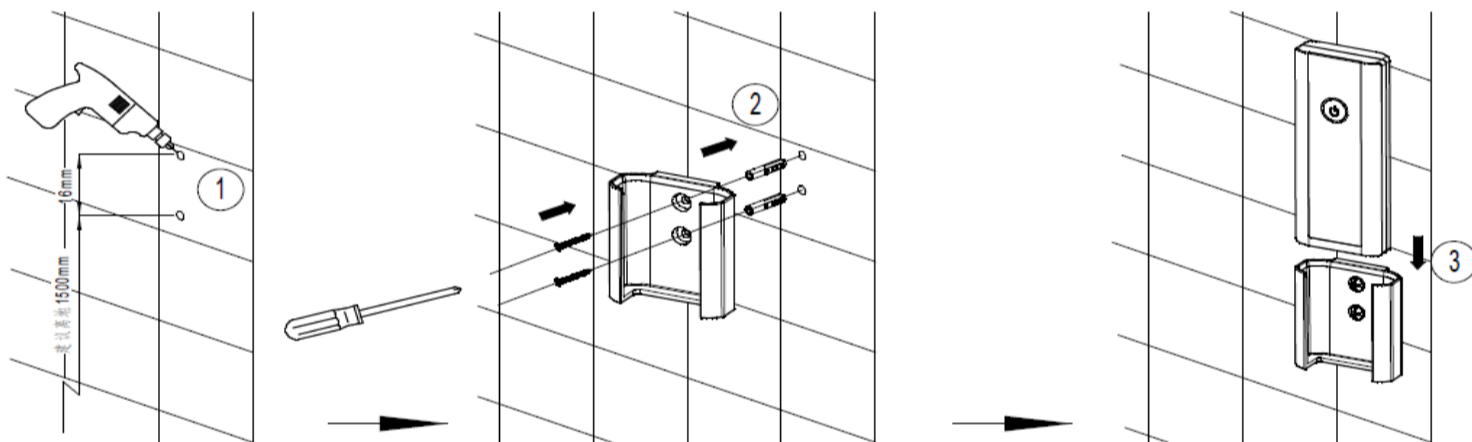
No.	Name	QTY
1	Controller	1
2	Controller base	1
3	Self-tapping screw	2
4	Wall plug	2



4.1 Drill two holes with diameter 6mm, depth 35mm, and holes distance 16mm. Suggest to install controller outside of the shower enclosure.

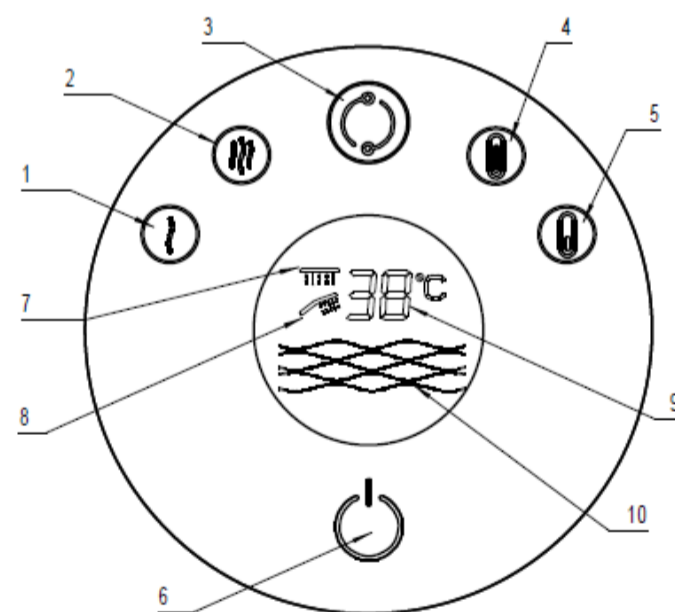
4.2 Insert wall plug, use self-tapping screw to fix the controller base to the wall.

4.3 Place batteries into controller; put the controller into controller base.



10. Controller Functions

1. Flowrate Decrease
2. Flowrate Increase
3. Rain Shower/Standard Shower Head switch
4. Temperature Increase
5. Temperature Decrease
6. On/Off/Pause
7. Rain Shower working display
8. Standard Shower working display
9. Temperature display
10. Flowrate column display



- Flow rate decrease: with each touch on the button, there is an audible signal, the flow rate will decrease by one step and the flow rate column will reduce one line on the LCD indicator, until the minimum flow rate is reached.
- Flow rate increase: with each touch on the button, there is an audible signal, the flow rate will increase by one step and the flow rate column will reduce one line on the LCD indicator, until the maximum flow rate is reached.
- Rain Shower/Standard Shower Switch: with each touch on the button, there is an audible signal and the water flow will switch between the rain shower head and the standard shower head.
- Temperature Increase: with each touch on the button, there is an audible signal and the temperature will increase by one increment. NB. This function is invalid when the maximum temperature of 50°C is reached.

- Temperature decrease : with each touch on the button, there is an audible signal and the temperature will decrease by one increment.
- NB. This function is invalid when the minimum temperature of 25°C is reached

On/Off/Pause: touch on this button, there is an audible signal, when the appliance in ON, the LED will be lit, when the appliance is switched off, the LED light will turn off.

Pressing the On/Off/Pause button briefly will pause the flow, holding (longer than 2 seconds) will turn the appliance OFF.

11. Pairing the Start/stop hand held remote control

With the shower off, press and hold the 'Temperature increase' button on the circular control panel (the display will flash blue).

Still holding the 'Temperature increase' button, press and hold the Start/Stop button on the hand held remote for 2 seconds (the display will turn to will static purple to confirm that the controllers are now paired).

The hand held remote will now operate Start/Stop functions.

