



## Continuing Professional Development Courses



# Glen Dimplex Heating & Ventilation

Glen Dimplex Heating & Ventilation (GDHV) is a new division of the Glen Dimplex Group, the world's largest electrical heating business. Our principal ambition is to deliver market-defining HVAC solutions, supported by a deep-rooted and continuous investment in new ideas, modern design and ongoing innovation.

## Market-leading brands

Operating at the forefront of current and future developments in heating, cooling, hot water and ventilation, our product portfolio features many of the best-known brands including such market leaders as Dimplex, Valor and Faber together with Nobo Heating, Creda Heating, Robinson Willey, Ability Projects and Redring Xpelair.



## Residential and commercial expertise

Our focus is the design, development and manufacture of professionally-installed HVAC solutions for residential and commercial buildings. We exploit our in-depth industry knowledge and experience across every sector from smart electric heating systems employing the latest control and communications technologies to district heating networks encompassing heat pumps, MVHR systems, air curtains and heat emitters. Working in the public and private sector, from major home builders to housing associations, our commitment to customer satisfaction is matched only by the excellence of our product design and manufacture.

## Continuing Professional Development

In the building and heating industry, legislation and compliances are continually changing and improving to ensure increased energy efficiency and economical buildings. We believe specialist professionals must be proactive rather than reactive to regularly update their skills and knowledge to stay ahead of these changes.

## Our CIBSE Approved CPD courses

With over 70 years' experience in the HVAC sector, GDHV is keen to assist industry professionals collect accredited hours to meet their CPD requirements. As a result, we offer a wide range of CIBSE-approved CPD courses delivered by trained GDHV presenters for building service engineers, architects and building service professionals.

## CPD courses at a glance

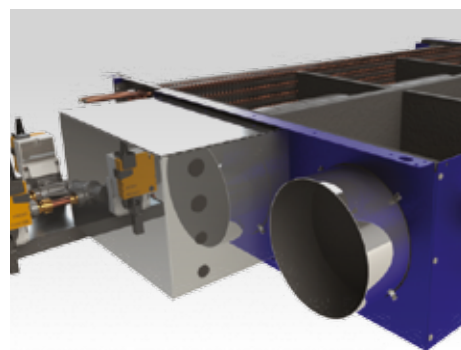
	Air Conditioning	Electrical	Energy Efficiency	Energy Management & Controls	Energy Metering	Fire	HVAC Solutions	Lifts & Transportation	Lighting	Low Carbon Solutions	Mechanical	Public Health	Sustainability
How Smart can Electric Heating be?		•					•						
Finding the Path to Part L Compliance with Electric Heating		•											•
Introduction to Heat Pump Technology							•			•	•		•
How Heat Pumps can help your Project to pass Planning and Building Regulations			•							•			•
Ground Source Heat Pump Collectors; Evaluating the Options											•	•	
Hydronic Distribution; Considering a Heat Pump											•	•	
Introduction to Hot Water Heat Pump Technology			•								•	•	•
Introduction to Air Curtain Technology		•									•		
EcoDesign Directive and Lot 20		•											•
Low Temperature Networks		•	•				•				•		
Fan Coil Basics							•				•		
Advances in Operation and Controls to provide greater Energy Efficiency and Flexibility							•				•		
Electronic Pressure Independence Valves for Fan Coil Units (EPIV)		•	•										
The Relative Energy Efficiencies of Active Chilled Beams and Fan Coil Unit				•								•	
Mechanical Ventilation with Heat Recovery			•				•						
Ventilation in the Social Sector							•						
Showering Solutions in the Care Sector												•	
The Dangers and Risks to Health from Mould and Damp													•
An Overview of Instantaneous and Stored Water Solutions												•	•





# Air Movement

## CPD Courses



### Fan Coil Basics

**Overview:**

An introductory course explaining the function of Fan Coil Units (FCUs) and the important factors affecting product selection. Includes details on unit performance, and the impact air volume and water flow rates have on product efficiency.

**Key points:**

- What is a Fan Coil Unit, and where is it used?
- Factors affecting the selection of FCUs
- Acoustic considerations
- Recommended design parameters

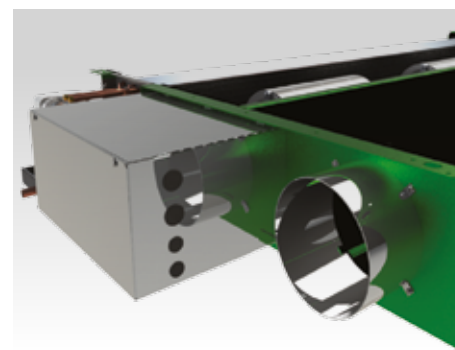
**Target audience:**

This course is suitable for anyone wishing to gain a basic understanding of the function of fan coil units.

**Duration of course:**

1 hour

1



### Advances in Operation and Controls to provide greater Energy Efficiency and Flexibility

**Overview:**

Focusing on energy efficiency and control methodologies, this course discusses the use of latest generation controllers, EC motors and PICC valves to enhance product performance. With introductions to BMS integration, remote monitoring, and the possibility of factory set operating duties, the benefits of packaged systems are investigated.

**Key points:**

- Electronically Commutated (EC) motors
- PICC valves
- Latest generation controls
- Matrix – the pre-set FCU

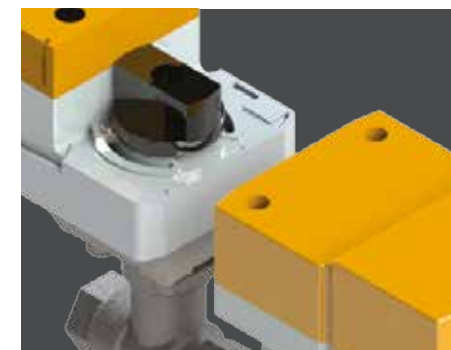
**Target audience:**

This course is suitable for anyone looking to understand the advanced functions available with the latest generation fan coil unit.

**Duration of course:**

1 hour

2



### Electronic Pressure Independence Valves for Fan Coil Units (EPIV)

**Overview:**

Advancements in control valve technology have opened up new possibilities for control, commissioning and operational savings, along with enhanced energy efficiency.

**Key points:**

- Existing valve technology associated with Fan Coil Units
- What is a pressure independent valve?
- Advantages of EPIV valves
- Packaged Fan Coils with EPIV valves

**Target audience:**

This course is suitable for anyone looking to understand the advanced functions available with the latest generation of control valve.

**Duration of course:**

1 hour

3



### The Relative Energy Efficiencies of Active Chilled Beams and Fan Coil Unit

**Overview:**

A look at the results and findings of an independent energy study comparing Fan Coils with Active Chilled Beams.

**Key points:**

- A brief description of the systems modelled
- An overview of the software used for the study
- Standard operating parameters
- Plant systems used for the energy study model

**Target audience:**

This course is suitable for anyone looking to understand the differences between Fan Coil Units and Active Chilled Beams.

**Duration of course:**

1 hour

4

# Heating & Cooling

## CPD Courses



### How Smart can Electric Heating be?

**Overview:**

This course demonstrates the demand for electric heating products in relation to the many environmental policy changes affecting our industry. It includes the many features and benefits of smart electric products, and their potential uses for meeting environmental targets of the future.

**Key points:**

- Have an appreciation of the smart electric thermal storage and understand its role in the future
- Understand why and in what way the demand for electric heating systems will grow

**Target audience:**

Housing developers, architects, energy and social housing professionals will gain a valuable insight into understanding this important consideration which should be made when heating buildings.

**Duration of course:**

1 hour

1



### Introduction to Heat Pump Technology

**Overview:**

This course is an ideal introduction to heat pumps. The presentation covers a wide range of topics. It starts with how they work and the types of applications they are suitable for. The presentation also introduces the main benefits for new build and refurbishment projects.

**Key points:**

- Understand the relationship between temperature distribution and efficiency
- Familiarisation with heat pumps

**Target audience:**

This CPD is suitable for anyone who needs an introduction to heat pump technology. It is aimed at architects, building service engineers and building services professionals.

**Duration of course:**

1 hour

2



### Ground Source Heat Pump Collectors; Evaluating the Options

**Overview:**

This course covers the different GSHP collector options available on the market and highlights the technical advantages and limitations of each system. It provides some rules of thumb used within the industry and guidance on where to go when more detailed analysis is required.

**Key points:**

- To understand the key points for ground collector design & the types of GSHP collector options available
- To learn about their limitations and disadvantages as well as where they can be best utilised

**Target audience:**

This CPD is suitable for anyone considering a GSHP project and wants to understand the different collector options available on the market. Primarily it is aimed at architects, building service engineers and building services professionals.

**Duration of course:**

1 hour

3



### Hydronic Distribution; Considering a Heat Pump

**Overview:**

This course covers the considerations which need to be made when using a heat pump within a hydronic heating/cooling system, as well as the considerations which need to be made for temperatures, flow rates, plant room design and advice for retrofitting heat pumps to existing buildings.

**Key points:**

- Learning the relationship between temperature and efficiency
- Be more familiar with the considerations that need to be made when integrating a heat pump into a hydronic system

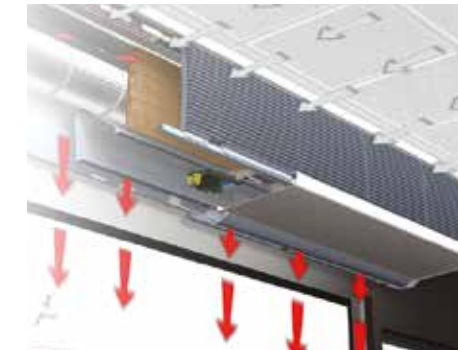
**Target audience:**

This course is suitable for anyone considering a heat pump project and want to understand the considerations which need to be made for the heating/cooling distribution systems. Primarily it is aimed at building service engineers and building services professionals.

**Duration of course:**

1 hour

4



### Introduction to Air Curtain Technology

**Overview:**

This short CPD presentation covers an introduction to air curtain technology. The presentation explains the technology, how to apply it, the benefits it offers for a building operator and the considerations a designer must make to implement this technology effectively.

**Key points:**

- Understand how an air curtain works
- Understand the different types of air curtains and their applications
- Understand the design considerations for air curtains and how to optimise their performance

**Target audience:**

This CPD is suitable for anyone within the construction industry but primarily it is aimed at building service engineers and building services professionals.

**Duration of course:**

1 hour

5



### Low Temperature Networks

**Overview:**

Learn about some of the issues associated with traditional heating, cooling and hot water systems in modern building design, and look at ways in which the application of a low temperature network can help address them. With stricter regulations making problems like corridor overheating worse, could this be the future of modern building design?

**Key points:**

- Understand the impact of a low temperature network to reduce overheating
- Understand the impact of a low temperature network on reduce energy use

**Target audience:**

This CPD is suitable for anyone who wants to develop an understanding of the benefits of low temperature networks in multi-use buildings and improve their knowledge of heat pump technology.

**Duration of course:**

1 hour

6



# Gaining Compliance

## CPD Courses



### Finding the Path to Part L Compliance with Electric Heating

**Overview:**

This presentation explores some of the potential routes housing developers can take to achieve 2013 Part L compliance with electric heating. The presentation also introduces the types of electric heating represented within SAP, and demonstrates the effects of the energy assessor choice when selecting between the product categories with respect to running costs and carbon.

**Key points:**

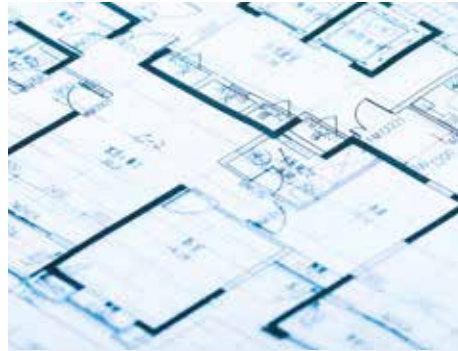
- Learn about the representation of electrical heating in SAP
- Develop knowledge on the options of electric heaters available
- Understand what additional measures may be required to pass electric heating schemes through Part L

**Target audience:**

This presentation is aimed at housing developers, architects, consultants, engineers, energy professionals and social housing professionals looking to integrate electric heating into residential dwellings or those looking to increase their knowledge of electric heating systems.

**Duration of course:**

1 hour



### How Heat Pumps can help your Project to pass Planning and Building Regulations

**Overview:**

This presentation explains how heat pumps are an effective way of meeting the latest Planning and Building regulations with examples from SBEM and BREEAM. The presentation also explains the impact of the non-residential RHI scheme as well as forthcoming Energy Labelling directive.

**Key points:**

- Introduction to current planning and building regulations
- Introduction to the software used to meet these regulations
- How heat pumps can help

**Target audience:**

This short course is aimed at those who have to balance competing requirements for a new commercial building such as Energy Assessors and Building services professionals.

**Duration of course:**

1 hour



### EcoDesign Directive and Lot 20

**Overview:**

This presentation looks at the EcoDesign Directive and Lot 20. It examines how the legislation affects the electric heating market and how manufacturers gain compliance under the new regulations.

**Key points:**

- To understand what the EcoDesign Directive is and how it is reducing energy and resource consumption
- To understand how Lot 20 affects electric heating products and why it is required

**Target audience:**

This CPD is suitable for anyone who wishes to learn more about the EcoDesign Directive and understand how Lot 20 will affect the electric heating market. It will demonstrate what is required to meet the minimum efficiency standard for the product categories and the benefits the changes will bring.

To understand the technological product changes to gain compliance under Lot 20.

**Duration of course:**

1 hour



### Introduction to Hot Water Heat Pump Technology

**Overview:**

This short CPD presentation covers an introduction to hot water heat pumps. The presentation explains the technology, how to apply it, the benefits it offers for reducing carbon in a building (Part L) and the considerations a designer must make to implement this technology effectively.

**Key points:**

- Understand how a hot water heat pump works
- Understand how a hot water heat pump can benefit new and existing properties
- Understand the design considerations for specifying hot water heat pumps

**Target audience:**

This CPD is suitable for anyone within the construction industry but primarily it is aimed at building service engineers and building services professionals.

**Duration of course:**

1 hour



# Water Heating

## CPD Courses



### Showering Solutions in the Care Sector

**Overview:**

This course explains the main considerations for local authorities when specifying showering solutions specifically aimed at the care sector.

**Key points:**

- It will enable staff who are practically involved in providing equipment solutions in housing or social care to consider a wider range of equipment options

**Target audience:**

This CPD course looks more specifically at the regulations and guidance documents for compliance as well as the approvals that should be aimed for on all product solutions. It also covers the various solutions available and the benefits they can offer both local authorities and tenants.

**Duration of course:**

1 hour



### An Overview of Instantaneous and Stored Water Solutions

**Overview:**

This course provides an overview of the types of instant and stored water solutions covering some of the features and benefits of limescale and the dangers.

**Key points:**

- To understand the key points for instantaneous and stored water solutions available
- How to select and specify them to best effect and design into a specification for efficiency and long life

**Target audience:**

This course is suitable for anyone with responsibility for specifying water systems and needs to understand the benefits of each system. Primarily it is aimed at architects, building service engineers and building services professionals.

**Duration of course:**

1 hour

# Ventilation

## CPD Courses



### Mechanical Ventilation with Heat Recovery

**Overview:**

This seminar provides an overview of why we ventilate and the consequences to health and the building fabric of poor ventilation. It will cover the required legislation in Part F, the options to comply and the specific advantage of Mechanical Ventilation with Heat Recovery and the impact this has on energy use and indoor air quality.

It covers the importance of good installation and design in ensuring an efficient and low noise system.

**Key points:**

- To understand the key points of legislation and how MVHR will satisfy both legislation and indoor air quality requirements
- To understand the importance of good design and installation to gain an efficient MVHR project

**Target audience:**

This CPD is suitable for anyone with responsibility for residential ventilation projects and wants to understand the different options available on the market, with specific emphasis on the benefits of MVHR. Primarily it is aimed at architects, building service engineers and building services professionals.

**Duration of course:**

1 hour



### Ventilation in the Social Sector

**Overview:**

This seminar provides an overview of the benefits of good ventilation in social housing. It will cover the advantages and health benefits from good ventilation for the occupants and the building envelope.

**Key points:**

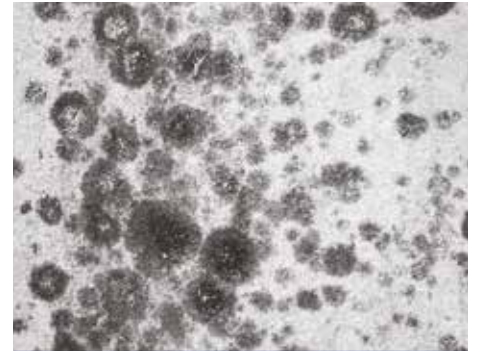
- To understand the key points of legislation and different ventilation options available
- To learn about the benefits and disadvantages regarding energy use and noise

**Target audience:**

This CPD is suitable for anyone with responsibility for ventilation projects in the social sector and wants to understand the different options available on the market. Primarily it is aimed at architects, building service engineers, building services professionals, housing associations and landlords.

**Duration of course:**

1 hour



### The Dangers and Risks to Health from Mould and Damp

**Overview:**

A brief overview of the dangers from the lack of adequate ventilation – some background on where the need to ventilate started, the legislation surrounding ventilation and the system types of ventilation.

**Key points:**

- To understand the key points of legislation and different ventilation options available
- To learn about the benefits and disadvantages regarding energy use and noise

**Target audience:**

This CPD is suitable for anyone with responsibility for residential ventilation projects and wants to understand the different options available on the market. Primarily it is aimed at architects, building service engineers and building services professionals.

**Duration of course:**

1 hour





**To find out more about how our team can help you specify compliant, efficient and intelligent heating solutions contact us at:**

**w:** [www.gdhv.com](http://www.gdhv.com)

**e:** [presales@glendimplex.com](mailto:presales@glendimplex.com)

**t:** 0344 8793586

